

Spiral Bevel Gear ▶ Module 1.0/1.5 Pressure Angle 20° Helix Angle 35°



Please order according to the diagram


①-④ Select the type and parameters in the order of for ordering

Model (Code) - Module - Nominal type - Inner Bore Diameter P_{H7} Screw Locking Type - Helix Direction - **Optional Processing** HC90 HC120

EAOEO - 1.0 - 2020 - P8 - L - **HC90**



Discounted Price
Quantity 1-9 10-
Price 100% Separate Quotation



JIS B 1702-1 Grade 8

| Code | Type | Material | | Surface Treatment |
|-------|--------------------|-------------------|------------|--------------------|
| | | National Standard | Equivalent | |
| EAOEO | Screw Locking Type | 45 | S45C | Black Oxide Finish |
| EAOFO | Keyway Hole Type | | | |

Selection of Inner Hole P Shape

| Screw Locking Type | Keyway Hole Type |
|--------------------|------------------|
| | |

① Detailed dimensions of the keyed hole can be found in the product introduction.
② The positional relationship of the keyway to the teeth is not fixed.

Tooth Ratio : 1:1

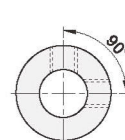
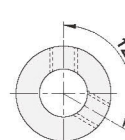
Tooth Ratio : 1:2

| Model Code | Module | Nominal type | Inner Bore Diameter P _{H7} Minimum Unit 1 | | Helix Direction | Number Teeth | Tooth Ratio | Mating Model | H | d | D |
|-----------------------------|--------|--------------|--|------------------|--------------------|--------------|-------------|--------------|----|----|-------|
| | | | Screw Locking Type | Keyway Hole Type | | | | | | | |
| Screw Locking Type EAOEO | 1.0 | 2020 | 6 8 | 8 | L (Left) R (Right) | 20 | 1:1 | 2020 | 16 | 20 | 21.12 |
| | | 3030 | 10 12 | 10 12 | L (Left) | 30 | | 3030 | 22 | 30 | 31.09 |
| | | 2040 | 8 10 12 | 8 | L (Left) | 20 | 1:2 | 4020 | 16 | 20 | 21.87 |
| | | 4020 | 10 12 | 10 12 | R (Right) | 40 | | 2040 | 25 | 40 | 40.41 |
| Keyway Hole Type EAOFO | 1.5 | 2020 | 10 12 | 10 12 | L (Left) R (Right) | 20 | 1:1 | 2020 | 24 | 30 | 31.85 |
| | | 3030 | 12~16 | 12~16 | L (Left) | 30 | | 3030 | 33 | 45 | 46.79 |
| | | 1836 | 8 10 12 | 8 | L (Left) | 18 | 1:2 | 3618 | 22 | 27 | 30.09 |
| | | 3618 | 10~15 | 10~15 | R (Right) | 36 | | 1836 | 30 | 54 | 54.76 |

| Model Code | Module | Mating Model | Number Teeth | K | B | L | G | Q | V | L ₁ | A | M |
|---------------------------|--------|--------------|--------------|-------|-------|-------|-------|-------|--------|----------------|--------|----|
| | | | | | | | | | | | | |
| 3030 | 30 | 19.4 | 26 | 15.67 | 11.54 | 9 | 4.5 | 6.2 | 48°21' | M5 | | |
| 2040 | 20 | 12.1 | 29.6 | 15 | 10.07 | 8.6 | 4 | 5.7 | 30°13' | M4 | | |
| 4020 | 40 | 28.4 | 21.8 | 14.57 | 12.21 | 8 | 4 | 5.7 | 65°36' | M5 | | |
| Keyway Hole Type EAOFO | 1.5 | 2020 | 20 | 17.2 | 28 | 18.44 | 13.93 | 10 | 5 | 7.0 | 50°50' | M4 |
| | | 3030 | 30 | 29.7 | 38 | 22.64 | 16.40 | 12 | 6 | 9.3 | 47°54' | M5 |
| | | 1836 | 18 | 12.2 | 40.74 | 22.96 | 14.51 | 12.49 | 6 | 9.8 | 30°44' | M4 |
| | | 3618 | 36 | 34.3 | 26.75 | 18.01 | 14.01 | 9 | 4.5 | 9.8 | 65°57' | M5 |

- ① Please use the combination of L and R for pairing.
- ② If the mating gear uses a product from another company, it may result in the gears being unable to mesh. Please ensure to select and use them in pairs.
- ③ Please note that they are sold individually and not as pairs.
- ④ When selecting a keyed hole with a shaft hole diameter of 10 and a keyway width of 4.0mm (height of 1.8mm), please specify the P dimension as 10K.

Optional Processing

| Model Code | Adding Setscrew Hole at 90° Position | | Adding Setscrew Hole at 120° Position | |
|-------------------------|---|--|---|--|
| | HC90 | | HC120 | |
| Technical Specification | <p>Selection Method HC90</p>  <p>① Additional setscrew hole processing at a 90° position relative to the original setscrew hole.</p> | | <p>Selection Method HC120</p>  <p>① Additional setscrew hole processing at a 120° position relative to the original setscrew hole.</p> | |