

Economy Electric Displacement Stage

X-Axis · Long Stroke Type Linear Ball Guide with Built-in Photoelectric Switch



①~⑥ Select the type and parameters in the order for ordering.

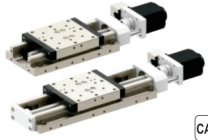
Model (① Code) — ② Specification — ③ Cover Plate — ④ Screw lead — ⑤ Voltage Selection — ⑥ Cable Selection

RCXBA — 6075 — C — 1 — A — 4



Disco/United Price	Quantity	1~9	10~
Price	100%	Separate Quotation	

Please order according to the diagram



CAD 2D/3D

Code	Type	Transmission Direction	Transmission Method	Body Material	Surface Treatment
RCXBA	Linear Ball Guide	X-Axis	Ball Screw	SUS440C	Electroless Nickel Plating

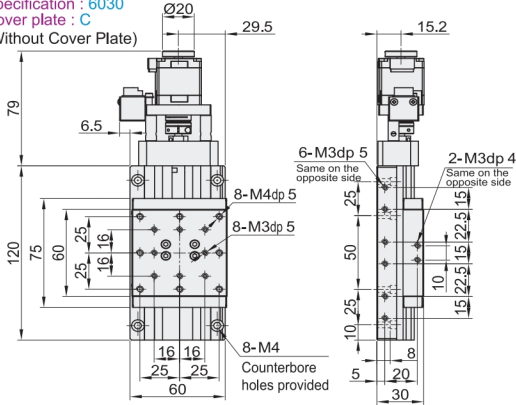
☑ Features: High rigidity, long stroke, low price.

⚠ Motor: For high torque, high resolution, or servo motors, please consult separately.

Specification : 6030

Cover plate : C

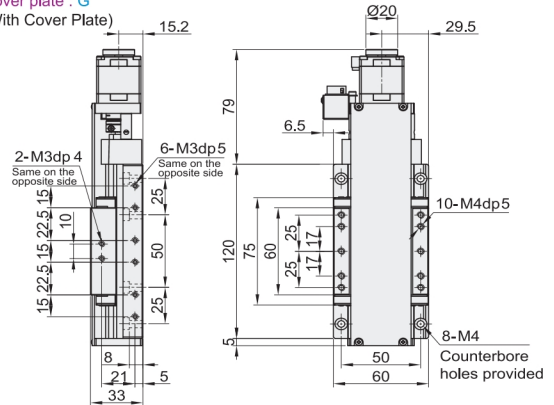
(Without Cover Plate)



Specification : 6030

Cover plate : G

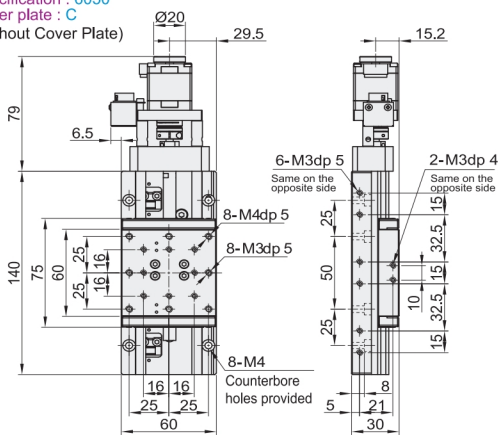
(With Cover Plate)



Specification : 6050

Cover plate : C

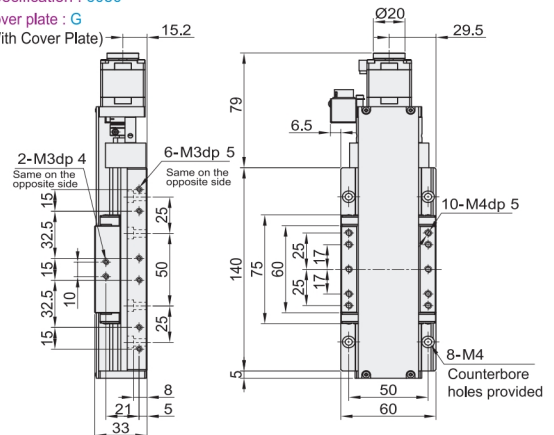
(Without Cover Plate)



Specification : 6050

Cover plate : G

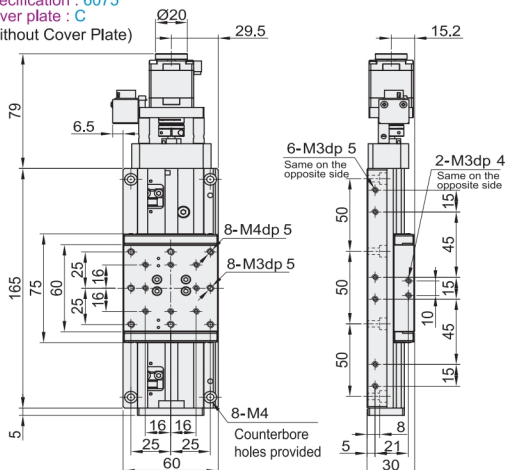
(With Cover Plate)



Specification : 6075

Cover plate : C

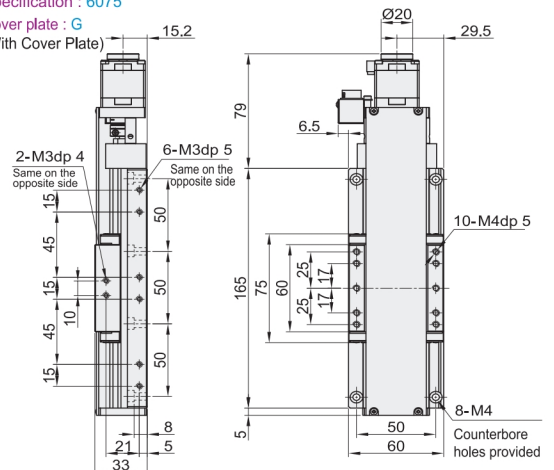
(Without Cover Plate)



Specification : 6075

Cover plate : G

(With Cover Plate)



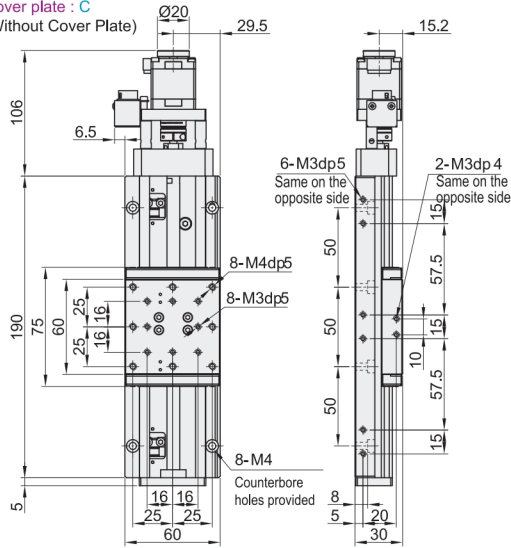
Economy Electric Displacement Stage

X-Axis · Long Stroke Type

Linear Ball Guide with Built-in Photoelectric Switch

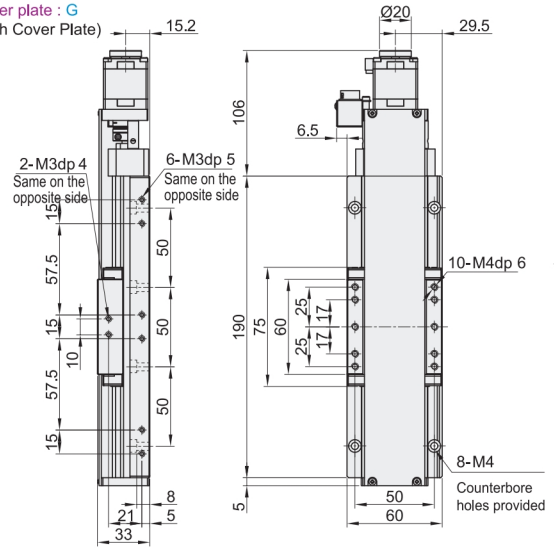
Specification : 60100

Cover plate : C
(Without Cover Plate)



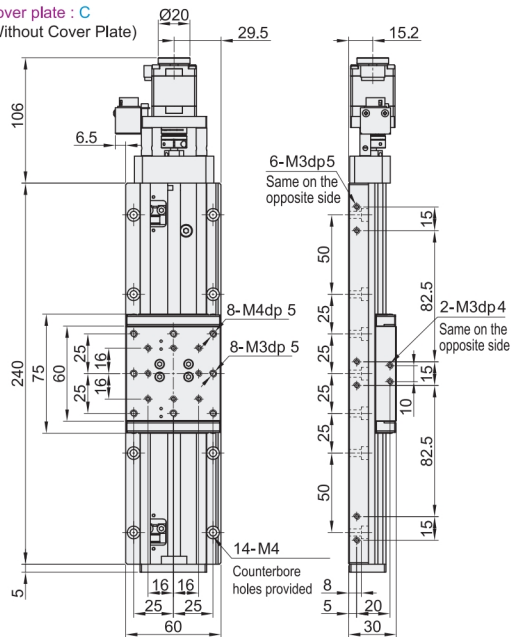
Specification : 60100

Cover plate : G
(With Cover Plate)



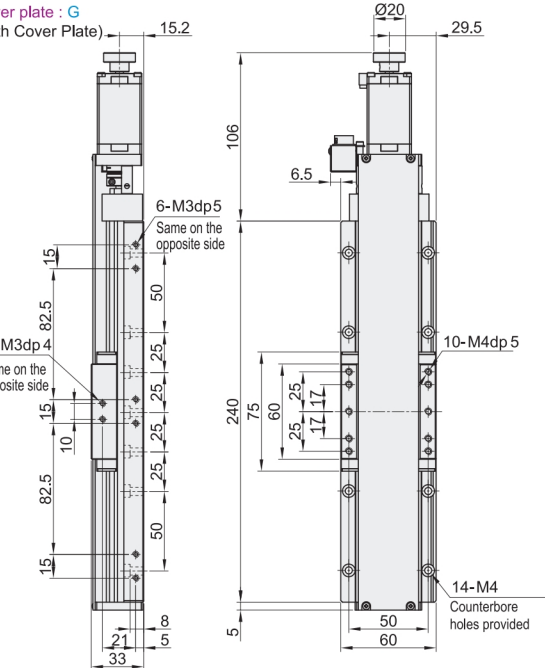
Specification : 60150

Cover plate : C
(Without Cover Plate)



Specification : 60150

Cover plate : G
(With Cover Plate)



Model Code	Specification	Cover Plate	Screw lead	Voltage Selection	Cable Selection	Table Size (mm)	Stroke (mm)	Motor	Maximu Speed (mm/sec)
RCXBA	6030	C (Without Cover Plate)	1(1mm)	N(No)	N(No)	60×60	±15	Two-Phase Stepper Motor Specifications	20
	6050			A(Fenghua Driver)	2(2m Long Cable)		±25		
	6075	G (Cover Plate)	1(1mm) 2(2mm)	B(Mingzhi Driver)	4(4m Long Cable)		±37.5		
	60100			ⓘ Detailed Driver Parameters: See table below ⓘ Connector Type: HRS-12P Connector	±50				
	60150				±75				

ⓘ When using your own cables, please utilize the HR10A-10P-12S(73)(HRS) 12-pin socket connector. ⓘ Sensors: NPN open-circuit output, home + limit, sensor voltage 24V, with a current draw below 8mA.
 ⓘ Grounding wire is required to avoid static interference. ⓘ The displacement stage operates with low-voltage signals. When routed alongside high-voltage cables, there may be signal interference. It is imperative to implement shielding measures.

Model Code	Specification	Uni-directional Positioning Accuracy (μm)	Repeatability Positioning Accuracy (μm)	Reverse Clearance (μm)	Straightness (μm)	Parallelism (μm)	Load Capacity (kgf)	Weight (kg)
RCXBA	6030	< 15	±1	< 3	< 3	< 20	14	1.2
	6050							1.3
	6075							1.4
	60100							1.55
	60150							1.78

Ⓜ Driver Parameter Table

Driver	A (Fenghua Driver)	B (Mingzhi Driver)
Voltage	DC12-40V	DC12-48V
Drive Current	0.5-2.6 A/phase	0.3-2.2 A/phase
Subdivision	16 speed	16 speed