

# Square Nut ▶ Length-Specified Type · Single Hole / Double Hole



Please order according to the diagram


①~④ Select the-Type and parameters in the order of for ordering

Model(①Code) - ②B - ③A - ④P - ④D  
**UQNOR** - **B16** - **A40** - **P25** - **D5.5**



Discounted Price  
 Quantity 1~9 10~  
 Price 100% Separate Quotation  
 Price Excluding Tax (Yuan)

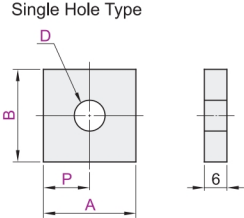
## Single Hole Type / Double Hole Type



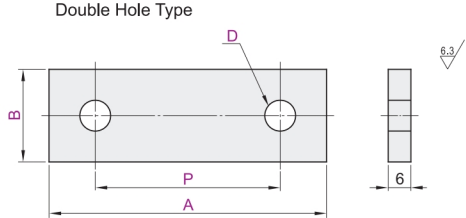
CAD 2D 3D

Code	Type		Material		Surface Treatment
			International	Equivalent	
<b>UQNOR</b>	Length-Specified Type	Single Hole Type	45	S45C	—
<b>UQNOS</b>			0Cr18Ni9	SUS304	Black Oxide Finish
<b>UQNOT</b>	Length-Specified Type	Double Hole Type	45	S45C	—
<b>UQNPR</b>			0Cr18Ni9	SUS304	Black Oxide Finish
<b>UQNPS</b>			0Cr18Ni9	SUS304	—
<b>UQNPT</b>					

Single Hole Type



Double Hole Type



## Single Hole Type

Code	Model	Minimum Unit 1		D Selection
		B	A	
<b>UQNOR</b> <b>UQNOS</b> <b>UQNOT</b>	16			5.5 6.6 7 9
	22			5.5 6.6 7 9
	25	16~100	5~94.5	5.5 6.6 7 9 11 14
	38			5.5 6.6 7 9 11 14

## Double Hole Type

Code	Model	Minimum Unit 1		D Selection
		B	A	
<b>UQNPR</b> <b>UQNPS</b> <b>UQNPT</b>	16			5.5 6.6 7 9
	22			5.5 6.6 7 9
	25	16~200	5~194.5	5.5 6.6 7 9 11 14
	38			5.5 6.6 7 9 11 14