

Square Bracket for Base ▶ Simplified Type Through Hole Type/Threaded Hole Type Bolt Reverse Type Through Hole Type/Threaded Hole Type



①~② Select the type and parameters in the order for ordering.

■ Simplified Type

Model(●Code) — ●DH7
KWAAA — **D10**

■ Bolt Reverse Type

Model(●Code) — ●DH7
KWACA — **D10**

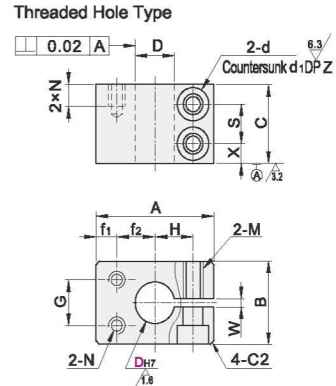
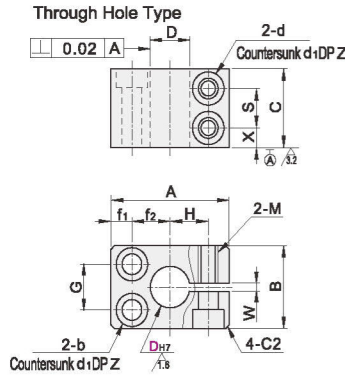


● Discounted Price
 Quantity 1-9 10-
 Price 100% Separate Quotation

■ Simplified Type



Simplified Type		Material		Surface Treatment	Accessory(Screws)
Through Hole Type	Threaded Hole Type	International	Equivalent		
KWAAA	KWABA	Q235	SS400	Black Oxide Finish	Hex Socket Head Cap Screw
KWaab	KWABB			Electroless Nickel Plating	Hex Socket Head Cap Screw (Stainless Steel)

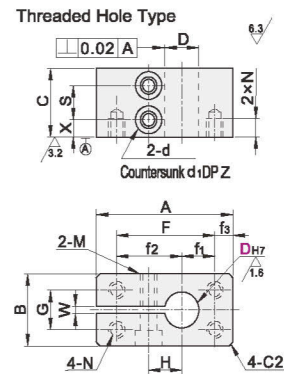
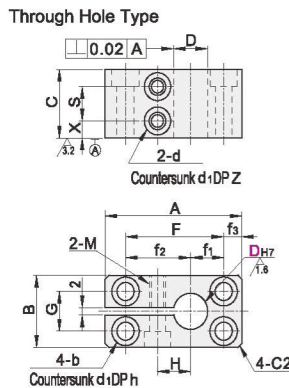


Model		A	B	C	f1	f2	G	b	b1	N	H	M	X	S	d	d1	Z	W
Code	DH7																	
Through Hole Type	10	30	20	19	6	9	11	4.5	8	M4	9	M4	4.75	9.5	4.5	8	5	2
Threaded Hole Type	12	32	20	19	6	10	11	4.5	8	M4	10	M4	4.75	9.5	4.5	8	5	
	15	39	20	19	6	14	11	4.5	8	M5	12	M4	4.75	9.5	4.5	8	5	
	20	48	28	27	7.5	17.5	16	6.6	11	M6	15	M6	7	13	6.6	11	7	
	25	52	32	31	7.5	20	17	6.6	11	M6	17	M6	7	17	6.6	11	7	
	30	63	40	39	10	22.5	20	8.5	14	M8	21	M8	9.5	20	8.5	14	9	

■ Bolt Reverse Type



Bolt Reverse Type		Material		Surface Treatment	Accessory(Screws)
Through Hole Type	Threaded Hole Type	International	Equivalent		
KWACA	KWADA	Q235	SS400	Black Oxide Finish	Hex Socket Head Cap Screw
KWACB	KWADB			Electroless Nickel Plating	Hex Socket Head Cap Screw (Stainless Steel)



Model		A	B	C	F	f1	f2	f3	G	b	b1	h	N	H	M	X	S	d	d1	Z	W
Code	DH7																				
Through Hole Type	10	40	20	19	28	9	19		11	4.5	8	4.6	M4	9	M4	4.75	9.5	4.5	8	5	2
	12	42	20	19	30	10	20	6	11	4.5	8	4.6	M4	10	M4	4.75	9.5	4.5	8	5	
	15	50	22	21	38	14	24		12	5.5	9.2	5.5	M5	12	M5	5	10	5.5	9.5	6	
	20	60	30	29	45	17.5	27.5	7.5	16	6.6	11	6.5	M6	15	M6	7	15	6.6	11	7	
	25	65	35	34	50	20	30		20	6.6	11	6.5	M6	17	M6	7	20	6.6	11	7	
	30	80	45	44	60	22.5	37.5	10	25	8.5	14	9	M8	21	M8	9.5	25	8.5	14	9	
Threaded Hole Type	35	85	50	49	65	25	40		30	8.5	14	9	M8	24	M8	9.5	30	8.5	14	9	
	40	100	60	59	75	30	45		35	11	17.5	11	M10	26	M10	12	35	11	17.5	11	
	50	110	70	69	85	32.5	52.5	12.5	45	11	17.5	11	M10	33	M10	14.5	40	11	17.5	11	