

# Mounted Bearing ▶ Rectangular flange type

## Back-to-back combination radial bearing



Please order according to the diagram

①~③ Select the type and parameters in the order of ordering

Model(① Code) — Bearing Model — Seal ring  
**YCJDE** — **7002** — **N**



Discounted Price

Quantity 1-9 10-  
 Price 100% (Separate Quotation)

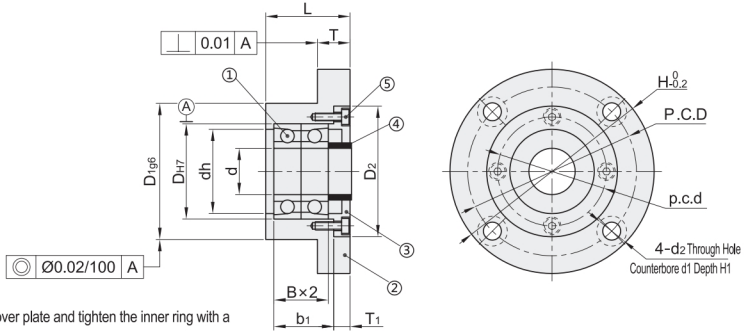
Price Excluding Tax (Year)



CAD 2D/3D

Code	Type	① Bearing		② Fixing Seat		⑤ Cover fixing screw for bearing housing				
		Material	Material	Surface Treatment	Material	Surface Treatment				
YCJDE	Combination type	SUJ2	S45C	Black Oxide Finish	SCM435	Black Oxide Finish				
YCJDG								Electroless Nickel Plating	SUS304	
YCJDF								—		

② Bearing accuracy: GB/T 307.10 Grade, Equivalent to JIS B 15140 Grade.



- ① Please fix the outer ring of the radial bearing housing with a cover plate and tighten the inner ring with a bearing nut before use.
- ② The cover plate for oil seal and the cover plate for O-ring are not accompanied by the ④ inner ring fixing ring.
- ③ Contact with the O-ring may apply torque.

③ Cover plate options

N (Standard cover plate)	S (Cover plate for oil seal)	R (Cover plate for O-ring)

Model	Bearing Model	Cover plate options	L	d	D <sub>H7</sub>	B	b <sub>1</sub>	H	D <sub>2</sub>	T	dh	D <sub>1g6</sub>	P.C.D	d <sub>1</sub>	d <sub>2</sub>	H <sub>1</sub>		
YCJDE YCJDG YCGDF	7002	N (Standard cover plate)	29	15	32	9	20	75	48	12	28	50	-0.009 -0.025	62	11	6.7	6.5	
	7003		31	17	35	+0.025 0	10	22				31						
	7004		36	20	42		12	26	92	58	15	36	60	-0.010 -0.029	75	14	9.1	8.5
	7005	S (For oil seals)	38	25	47		13	28	120	78	18	41	65		80			
	7006	40	30	55		14	30	126	84		48	80		98				
	7007	43	35	62		15	32	140	92	20	55	86		106				
	7008	R (For O-Ring)	46	40	68	+0.030 0	16	34	145	98		60	95	-0.012 -0.034	116	17.5	11.1	10.5
	7009	48	45	75		16	34	147	101		69	100		122				
	7010	50	50	80							74	105		124				

Bearing Model	③ Details of the cover plate section											⑤ Bolts for fixing the cover plate		④ Details of the fixing collar										
	D	D <sub>2</sub>	dh	T <sub>1</sub>	T <sub>2</sub>	p.c.d	d <sub>3</sub>	d <sub>4</sub>	t <sub>2</sub>	N (Standard cover plate)	S (Cover plate for oil seal)	R (Cover plate for O-ring)	Inner Diameter	Outer Diameter	Thickness									
7002	32	48	28	6	8	40	6.5	3.5	3.1	d <sub>5</sub>	S <sub>1</sub>	S <sub>2</sub>	St	Accessory oil seal	Ra	Rb	Rt	r	Accessory O-ring	M3-8	15	20	8.5	
7003	35	58	31	7	9	48	8	4.5	4.1	21	32	22	5	CVOSA-20-32-5	24	20	3.2	0.4	CURPA-20	M4-10	17	25	9.5	
7004	42	63	41	8	10	53	9.5	5.5	5.1	26	35	27	6	CVOSA-25-35-6	31	25			CURPA-25	M5-12	20	30	10.5	
7005	47	78	48			64				31	40	32	7	CVOSA-30-40-7	36	30			CURPA-30		25	30		
7006	55	84	55			72				41	50	42	6.5	CVOSA-40-50-6	41	35			CURPA-35		30	40		
7007	62	92	60	9	11	78				46	60	47	9	CVOSA-45-60-9	46	40		4.7	0.7	CURPA-40		35	45	
7008	68	98	69			85	11	6.6	6.1	51	65	52		CVOSA-50-65-9	51	45			CURPA-45	M6-12	40	50	11.5	
7009	75	101	74	11	13	88				56	70	57		CVOSA-55-70-9	56	50			CURPA-50		45	55		
7010	80	101	74							61	75	62		CVOSA-60-75-9	70	60	7.5	0.8	CURPA-60	M6-15	50	60	13.5	