

# Locking Collar ▶ Slot Avoidance Type/Double-Hole Type / Four-Hole Type

Locked by Set Screws



Please order according to the diagram

①~③ Select the type and parameters in the order of for ordering

④ Double-Hole Type / Four-Hole Type

Model (①Code) - (②D) - (③B)  
**UAHAP** - **D10** - **B10**



Discounted Price	
Quantity	1~9 10~
Price	100% Separate Quotation

Price Excluding Tax (Yuan)

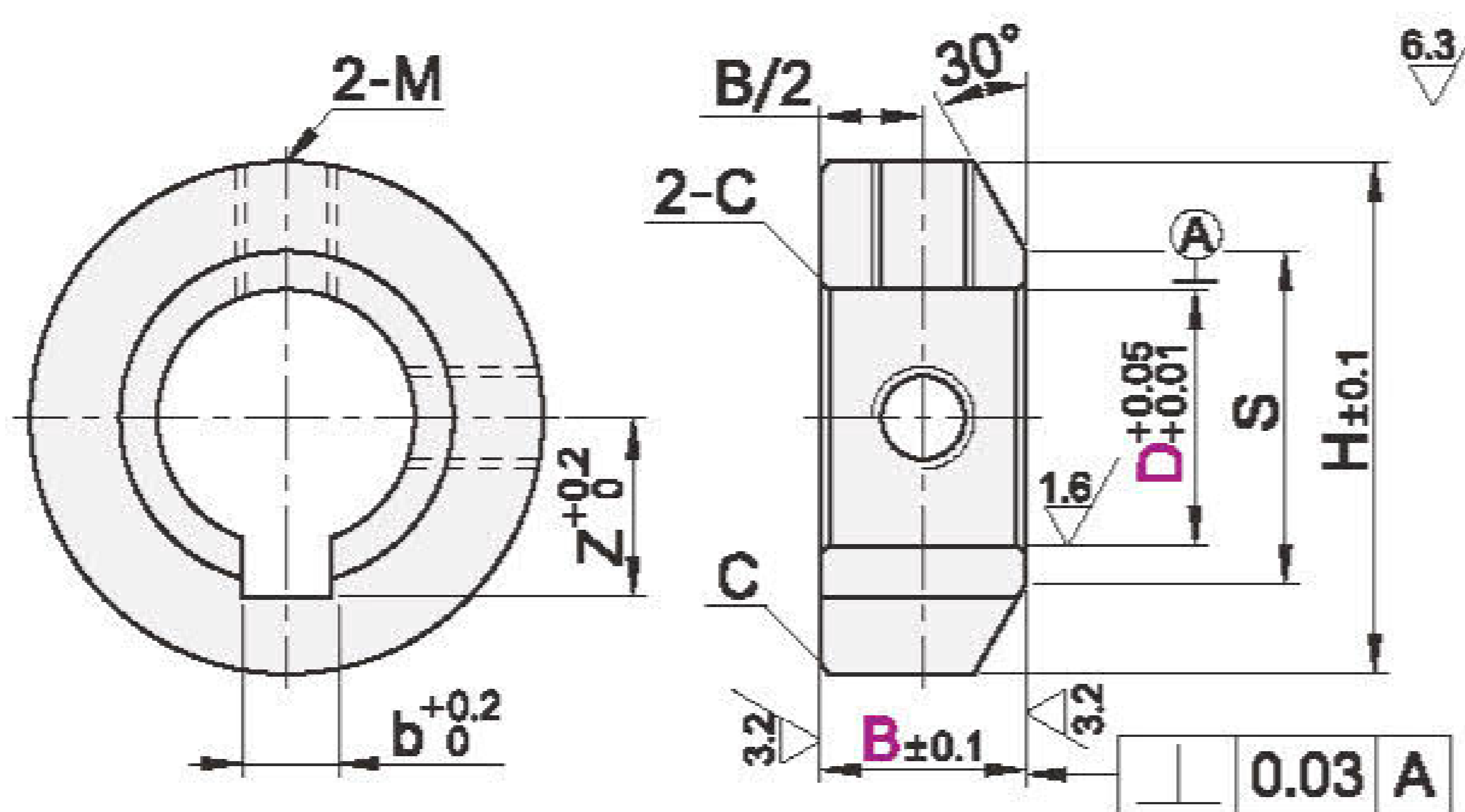
## ④ Double-Hole Type / Four-Hole Type

Custom-made / Inventory



Code	Type	Material		Surface Treatment	Accessories
		International	Equivalent		
<b>UAHAP</b>	Slot Avoidance	45	S45C	Black Oxide Finish	2 Set Screw Lock
<b>UAHAQ</b>	Type			Electroless Nickel Plating	2 Set Screw Lock (Stainless Steel)

① If rust prevention is required, stainless steel material or electroless nickel plating products are preferred



Model		③B	H	S	Setscrew M - Length	b	Z	C
①Code	②D							
<b>UAHAP</b> <b>UAHAQ</b>	10	6 8 10	20	13	M4-3	3.5	7	
	12	8 10 12	22	15	M5-4	4.5	8.5	
	15	8 10 12	26	20		5.5	10.5	0.5
	20	10 12 15	32	27	M6-5	6.5	13.5	
	25	12 15	38	31		8.5	16.5	
	30	15 20	46	38	M8-6	8.5	19.0	1

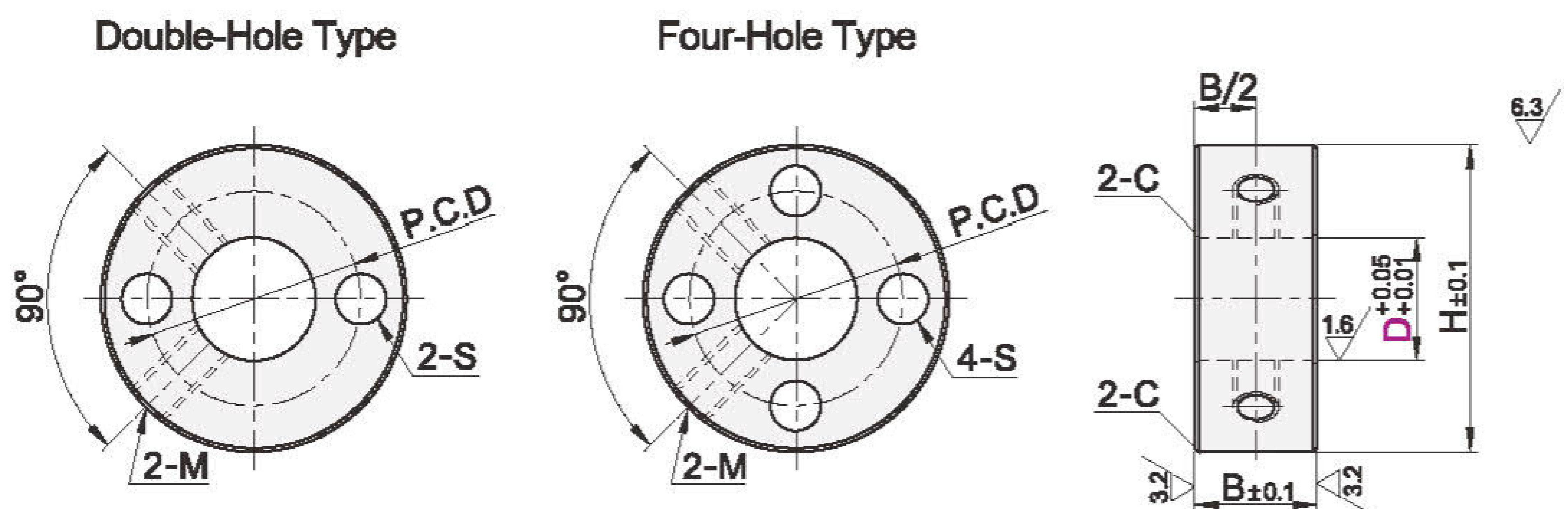
## ④ Double-Hole Type / Four-Hole Type

Custom-made / Inventory



Code	Material	Surface Treatment	Accessories
<b>UADAP</b>	45	Black Oxide Finish	2 Set Screw Lock
<b>UADBP</b>		Electroless Nickel Plating	2 Set Screw Lock (Stainless Steel)
<b>UADAQ</b>	0Cr18Ni9	—	—
<b>UADAR</b>			

① If rust prevention is required, stainless steel material or electroless nickel plating products are preferred



Model		B	H	S	P.C.D	C	Setscrew M× Length		
①Code	②D								
Double-Hole Type	3	6	18	3.4	11	0.6	M3×3		
	4		22						
	5		24						
	<b>UADAP</b> <b>UADAQ</b> <b>UADAR</b>	6	10	26	4.5		15	M4×4	
		8		32					
		10		33					
12		35							
13		32							
Four-Hole Type	15	12	40	6.6	25	M5×5			
	16		44						
	18		49						
	20		54						
	25		59						
	30		72						
	35		9				47	1	M8×8
	40		9				56		