

# Leg Leveling Feet ▶ Universal Adjustable Type • Metal Base Type

## Medium to Light Load Type



Please order according to the diagram

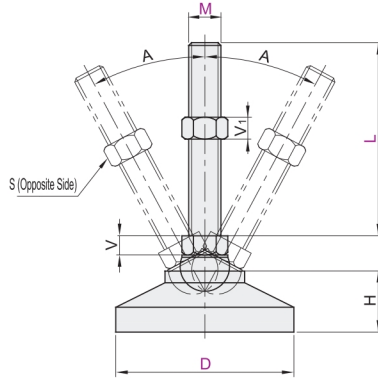
①~④ Select the type and parameters in the order of for ordering.

Model (① Code) — ② D — ③ M — ④ L  
**DEDHQ — D50 — M12 — L100**

¥	Discounted Price
	Quantity 1-9 10-
Price	100% (Separate Quotation)
Price Excluding Tax (Yuan)	



CAD 2D 3D



Code	Type	Material	Surface Treatment
DEDHQ	Universal	SUS304	—
DEDHR	Adjustable Type	S45C	Zinc Plated

Model		M	L	S	V	V <sub>1</sub>	H	A	Load Capacity (Kg)	Reference Weight (Kg/pcs)	
Code	D										
DEDHQ DEDHR	50	12	100						300	0.28	
			125	19	8	10				0.31	
			150								0.35
		16	100							400	0.29
			125	24	10	13	32	20°			0.32
			150								0.36
	60		100								0.3
		16	125	24	10	13				500	0.35
			150								0.4
			100								0.49
		16	125	24	10	13				1000	0.56
			150								0.6
	75		100								0.5
		20	125	30	13	16				1500	0.57
			150								0.62
			100								0.95
		20	125	30	13	16				2000	1.01
			150								1.07
	100		100								1.15
		24	125	36	16	19			25°	2500	1.22
			150								1.29
			200								1.43
			100						28		2.03
		24	125	36	16	19				3000	2.10
120		150								2.17	
		200								2.31	
		100								2.35	
	30	150	46	24	24				4000	2.55	
		200								2.75	