

Sterling Seal for Shaft



Please order according to the diagram


①~② Select the type and parameters in the order of for ordering.

Model(①Code) - ②Specification
CVHDC - 02




Discounted Price
 Quantity 1~9 10~
 Price 100% Separate Quotation

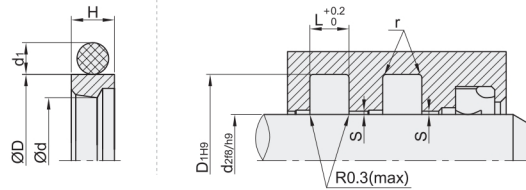
Price Excluding Tax (¥)



Code	Material		Color	Application	Operating Conditions				Service Medium
	Wear-Resistant Ring	O-Ring			Pressure	Speed	Frequency	Wide range of operating temperatures	
CVHDC	PTFE + Bronze	Nitrile Rubber	Brown	One-Way Reciprocating Seal for Shaft	≤60MPa	≤15m/s	≤5Hz	-30~110°C	Mineral-Based Hydraulic Oil, Fire-Resistant Fluid, Biodegradable Hydraulic Oil, Water



Installation Legend



Model	Product Dimensions				Installation Dimensions								
	Code	Specification	D	d	d ₁	H	d ₂	D ₁	L	r	S	Radial Clearance(max)	
				O-Ring		Shaft Diameter	Groove Diameter	Groove Width	(max)		<10MPa	<20MPa	<40MPa
01		24.9	19.7			20	30.7						
02		26.9	21.7			22	32.7						
03		29.9	24.7			25	35.7						
04		30.3	25.1			25.4	36.1						
05		30.9	25.7			26	36.7						
06		32.9	27.7	3.53	4	28	38.7	4.2	1	0.4	0.25		
07		34.9	29.7			30	40.7						
08		36.9	31.7			32	42.7						
09		39.9	34.7			35	45.7						
10		40.9	35.7			36	46.7						
11		41.9	36.7			37	47.7						
12		44.7	37.7			38	53.1						
13		46.7	39.7			40	55.1						
14		48.7	41.7			42	57.1						
15		51.1	44.1			44.4	59.55						
16		51.7	44.7			45	60.1						
17		54.7	47.7			48	63.1						
18		56.7	49.7			50	65.1						
CVHDC 19		57.5	50.5			50.8	65.9						
20		58.7	51.7			52	67.1						
21		60.7	53.7			54	69.1						
22		61.7	54.7			55	70.1						
23		62.7	55.7			56	71.1						
24		63.7	56.7			57	72.1						
25		66.7	59.7			60	75.1						
26		69.7	62.7	5.33	6	63	78.1	6.3	1.3	0.5	0.3		
27		70.2	63.2			63.5	78.6						
28		71.7	64.7			65	80.1						
29		75.7	68.7			69	84.1						
30		76.7	69.7			70	85.1						
31		79.7	72.7			73	88.1						
32		81.7	74.7			75	90.1						
33		82.9	75.9			76.2	91.3						
34		84.7	77.7			78	93.1						
35		86.7	79.7			80	95.1						
36		89.1	82.1			82.5	97.6						
37		91.6	84.6			85	100.1						
38		95.6	88.6			89	104.1						
39		96.6	89.6			90	105.1						
40		98.6	91.6			92	107.1						

Model	Product Dimensions				Installation Dimensions								
	Code	Specification	D	d	d ₁	H	d ₂	D ₁	L	r	S	Radial Clearance(max)	
				O-Ring		Shaft Diameter	Groove Diameter	Groove Width	(max)		<10MPa	<20MPa	<40MPa
41		101.6	94.6			95	110.1						
42		106.6	99.6			100	115.1						
43		108.2	101.2			101.6	116.7						
44		111.3	104.3			104.7	119.8						
45		111.6	104.6			105	120.1						
46		116.6	109.6			110	125.1						
47		121.6	114.6			115	130.1						
48		126.6	119.6			120	135.1						
49		131.6	124.6			125	140.1						
50		132	125			125.4	140.5						
51		133.6	126.6			127	142.1						
52		136.6	129.6			130	145.1						
53		138.6	131.6			132	147.1						
54		141.6	134.6			135	150.1						
55		143.6	136.6			137	152.1						
56		144.6	137.6	5.33	6	138	153.1	6.3	1.3	0.5	0.3	0.2	
57		146.6	139.6			140	155.1						
58		147.1	140.1			140.5	155.6						
CVHDC 59		151.6	144.6			145	160.1						
60		156.6	149.6			150	165.1						
61		159.6	152.6			153	168.1						
62		161.6	154.6			155	170.1						
63		166.6	159.6			160	175.1						
64		171.6	164.6			165	180.1						
65		176.6	169.6			170	185.1						
66		179.6	172.6			173	188.1						
67		181.6	174.6			175	190.1						
68		186.6	179.6			180	195.1						
69		191.5	184.5			185	200.1						
70		196.5	189.5			190	205.1						
71		201.5	194.5			195	210.1						
72		209.1	199.5			200	220.5						
73		214.1	204.5			205	225.5						
74		219.1	209.5			210	230.5						
75		220.1	210.5			211	231.5						
76		224.1	214.5	7	7.8	215	235.5	8.1	1.8	0.6	0.35	0.25	
77		229.1	219.5			220	240.5						
78		234.1	224.5			225	245.5						
79		239.1	229.5			230	250.5						