

# Hand Wheel ▶ Ripple Handwheel

## Rotating Handle Type/No Knob Type



Please order according to the diagram

①-③ Select the type and parameters in the order of for ordering

Rotating Handle Type

Model(①Code) - ②D - ③d  
**SAKDA** - **D80** - **d10**


No Knob Type

Model(①Code) - ②D - ③d  
**SAKDD** - **D50** - **d8**



Discounted Price  
 Quantity 1-9 10-  
 Price 100% Separate Quotation  
 Price Including Tax (Yen)

### Rotating Handle Type

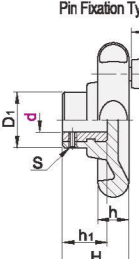


CAD 2D 3D

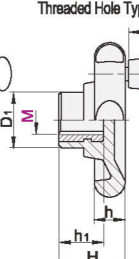
Code	Type	Installation Method	Coupling Portion Material	Hand Wheel Body Material	Color
<b>SAKDA</b>	Rotating Handle Type	Pin Fixation Type	S45C	PF	Black
<b>SAKDB</b>		Threaded Hole Type			
<b>SAKDC</b>		Screw Locking Type			

□ Handle End Face Mounting Portion may be Hex Socket.

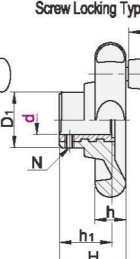
Pin Fixation Type



Threaded Hole Type




Screw Locking Type



Model		D	d	L	H	h	h <sub>1</sub>	D <sub>1</sub>	N	S	Reference Weight (kg/pcs)
Pin Fixation Type	Screw Locking Type	<b>80</b>	<b>10</b>	32	37	18	20	34	M4	3	0.14
	<b>SAKDA</b>		<b>12</b>				25		M5	4	

Model		D	M	L	H	h	h <sub>1</sub>	D <sub>1</sub>	Reference Weight (kg/pcs)
Threaded Hole Type	<b>SAKDB</b>	<b>80</b>	<b>10</b>	32	37	18	25	34	0.14
			<b>12</b>						

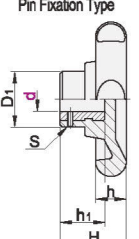
### No Knob Type.Pin Fixation Type/Threaded Hole Type/Screw Locking Type



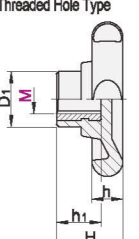
CAD 2D 3D

Code	Type	Installation Method	Coupling Portion Material	Hand Wheel Body Material	Color
<b>SAKDD</b>	No Knob Type	Pin Fixation Type	S45C	PF	Black
<b>SAKDE</b>		Threaded Hole Type			
<b>SAKDF</b>		Screw Locking Type			

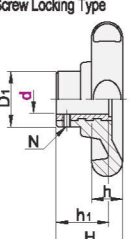
Pin Fixation Type



Threaded Hole Type



Screw Locking Type




### Pin Fixation Type/Screw Locking Type

Model		D	d	H	h	h <sub>1</sub>	D <sub>1</sub>	N	S	Reference Weight (kg/pcs)	
SAKDD	SAKDF	<b>50</b>	<b>8</b>	33	13	16	23	M4	3	0.03	0.03
SAKDD	SAKDF	<b>60</b>	<b>10</b>	32	16	20	26	M5	4	0.06	0.06
SAKDD	SAKDF	<b>80</b>	<b>12</b>	38	18	25	34	M5	4	0.12	0.12
SAKDD	SAKDF	<b>100</b>	<b>16</b>	47	20	28	36	M5	4	0.17	0.17

### Threaded Hole Type

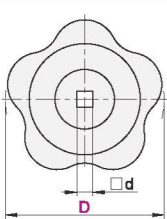
Model		D	M	H	h	h <sub>1</sub>	D <sub>1</sub>	Reference Weight (kg/pcs)
SAKDE	SAKDE	<b>50</b>	<b>8</b>	33	13	16	23	0.03
SAKDE	SAKDE	<b>60</b>	<b>10</b>	32	16	20	26	0.06
SAKDE	SAKDE	<b>80</b>	<b>12</b>	38	18	25	34	0.12
SAKDE	SAKDE	<b>100</b>	<b>16</b>	47	20	28	36	0.18

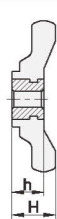
### No Knob Type.Square Hole Type



CAD 2D 3D

Code	Type	Installation Method	Coupling Portion Material	Hand Wheel Body Material	Color
<b>SAKDG</b>	No Knob Type	Square Hole Type	Powder Metallurgy	PF	Black





Model		D	H	h	d	Reference Weight (Kg/pcs)
SAKDG		<b>60</b>	20	13	6×6	0.05
		<b>80</b>	22	16	8×8	0.09
		<b>100</b>	27		9×9	0.14