

# Shouldered Oil-free Bushing ▶ Standard Type/Thin-wall Type

Copper Alloy



Please order according to the diagram

①~③ Select the type and parameters in the order of for ordering

☑ Standard Type

Model (① Code) — (② d) — (③ L)  
**GWPJT** — **d5** — **L10**



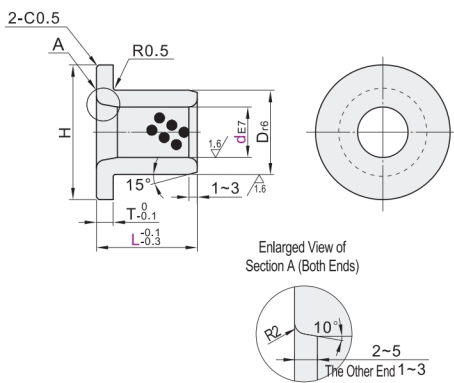
Discounted Price  
 Quantity 1~9 10~  
 Price 100% Separate Quotation  
 Price Excluding Tax (Yuan)



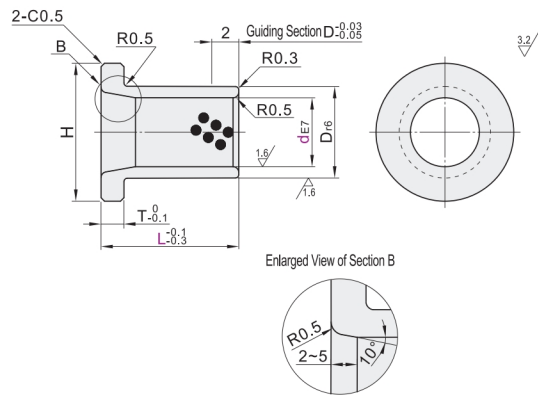
Code	Type	Material	Inner Diameter Tolerance	Outer Diameter Tolerance
GWPJT	Shouldered Type	High-strength Brass (SP2)	E7	r6
GWPKU	Thin-wall Type	Embedded with Solid Lubricant		

① The diameter tolerance of the fixing seat matching this product is H7; the shaft diameter tolerance is for reference only.

Standard Type



Thin-wall Type



Oil-free Bushings 5

☑ Standard Type

Code	Model		L	D <sub>r6</sub>	H	T
	5	dE7				
GWPJT	5	+0.032	10 12 15	9	14	
	6	+0.020	10 12 15 20	10	16	2
	8	+0.040	10 12 15 20 25	12	20	
	10	+0.025	10 12 15 20 25 30 35	14	22	
	12		10 12 15 20 25 30 35	18	25	
	13		10 12 15 20 25 30 35	19	26	
	15	+0.050	10 12 15 20 25 30 35	21	28	3
	16	+0.032	12 15 20 25 30 35 40 50	22	29	
	18		15 20 25 30 35 40 50	24	32	
	20		15 20 25 30 35 40 50	30	40	
	25	+0.061	15 20 25 30 35 40 50 60	35	45	
	30	+0.040	20 25 30 35 40 50 60	40	50	
	35		20 25 30 35 40 50 60	45	60	5
	40	+0.075	20 25 30 35 40 50 60	50	65	
	50	+0.050	30 35 40 50 60	60	75	

☑ Thin-wall Type

Code	Model		L	D <sub>r6</sub>	H	T
	5	dE7				
GWPKU	5	+0.032	10 12 15	7	11	
	6	+0.020	10 12 15 20	8	12	2
	8	+0.040	10 12 15 20	10	14	
	10	+0.025	10 12 15 20 25 30	12	16	
	12		10 12 15 20 25 30	15	21	
	13	+0.050	12 15 20 25 30	16	22	3
	15	+0.032	10 12 15 20 25 30	18	24	
	16		12 15 20 25 30 40	20	26	
	20		15 20 25 30 40 50	24	32	
	25	+0.061	20 25 30 40 50	29	37	4
	30	+0.040	25 30 40 50	34	42	