

Oil-free Shim/Thrust Shim ▶ Oil-free Shim·Tapered Bore Type/Counterbore type Thrust Shim



Please order according to the diagram

①~③ Select the type and parameters in the order of for ordering

Oil-free Shim

Model (①Code) - ②Specifications - ③T
GXDJV - 6 - 3

Oil-free Shim

Model (①Code) - ②Specifications - ③t
GXCLX - 6 - t1.5



Price Excluding Tax (Yen)

Discounted Price	
Quantity	1~9 10~
Price	100% Separate Quotation

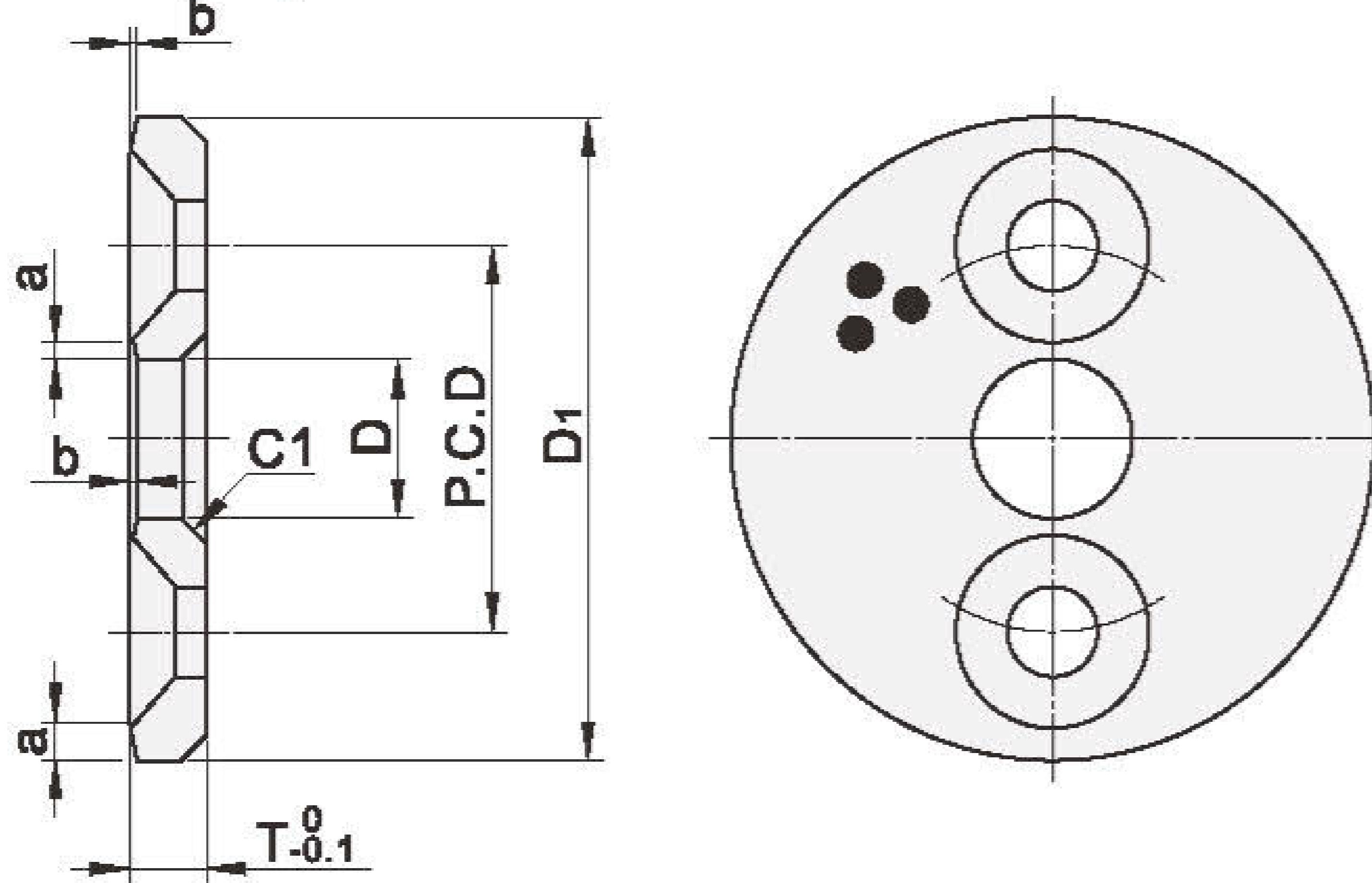
Oil-free Shim



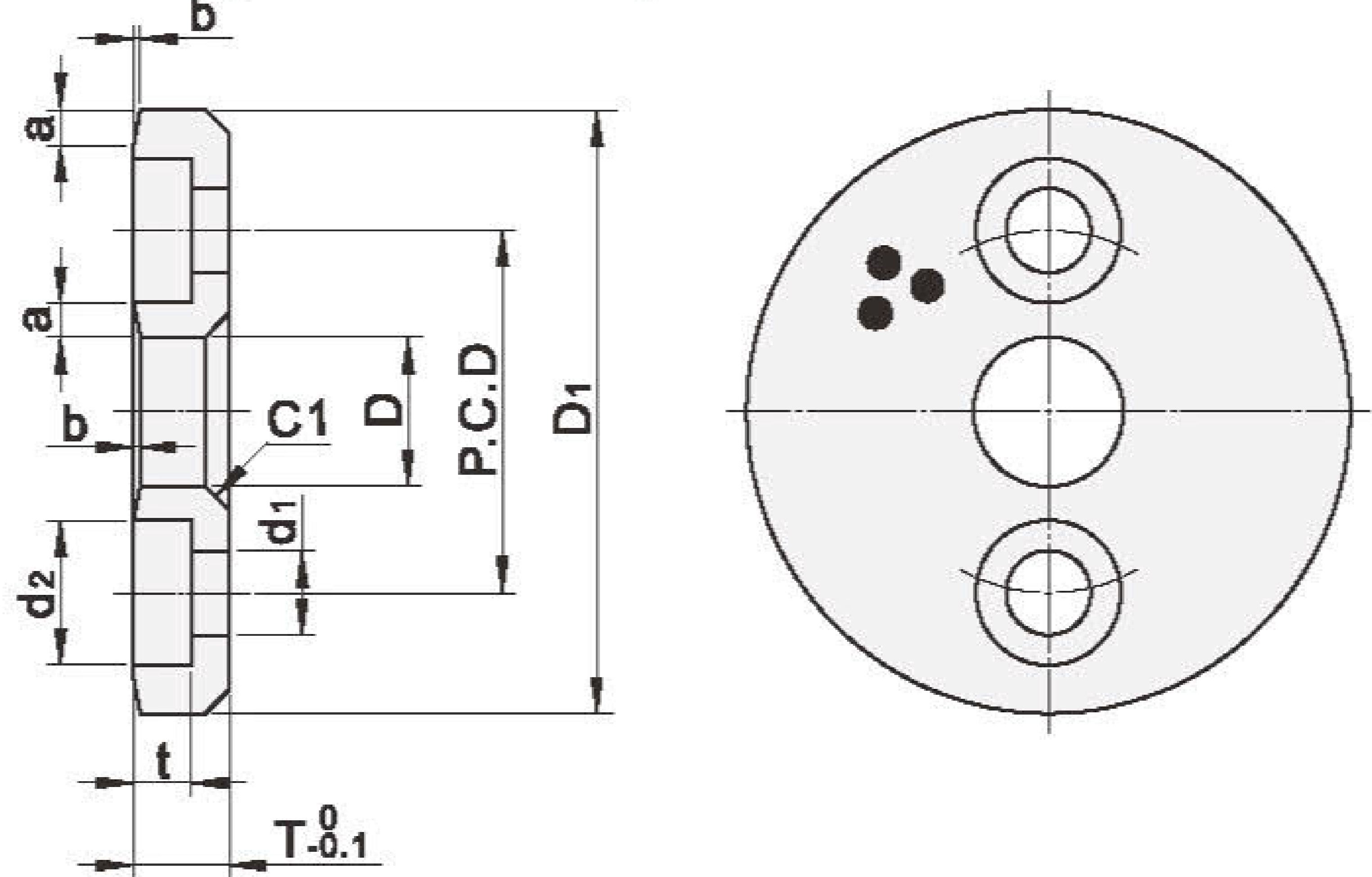
CAD 2D 3D

Code	Type	Material
GXDJV	Tapered Bore Type	High-strength Brass (SP2) Embedded with Solid Lubricant
GXDKW	Counterbore type	

Tapered Bore Type
For Hexagonal Socket Countersunk Head Screws



Counterbore type
For Hexagonal Socket Thin Cylindrical Screws



① Screws need to be purchased separately

Model	Code	Specifications	T	D	D ₁	P.C.D	Quantity	Mounting Hole			Chamfering		
								GXDJV Countersunk Screw	GXDKW d ₁	GXDKW d ₂	GXDKW t	a	b
Tapered Bore Type GXDJV	6			6.2	25	15							
	8			8.2	28	18						1.5	0.2
	10		3(4)	10.2	30	20							
	12			12.2	40	28							
	13			13.2				M3	3.5	6	2.4		
	15		15.2								2		
	16		16.2		50	35	2						0.3
	18		18.2										
	20		20.2										
	25		25.2	5	55	40						2.5	
30		30.2		60	45		M5	4.5	7.5	3			
35		35.2		70	50								
40		40.2	7	80	60						3	0.4	
50		50.3	8	100	75	4	M6	5.5	9	4	4	0.5	

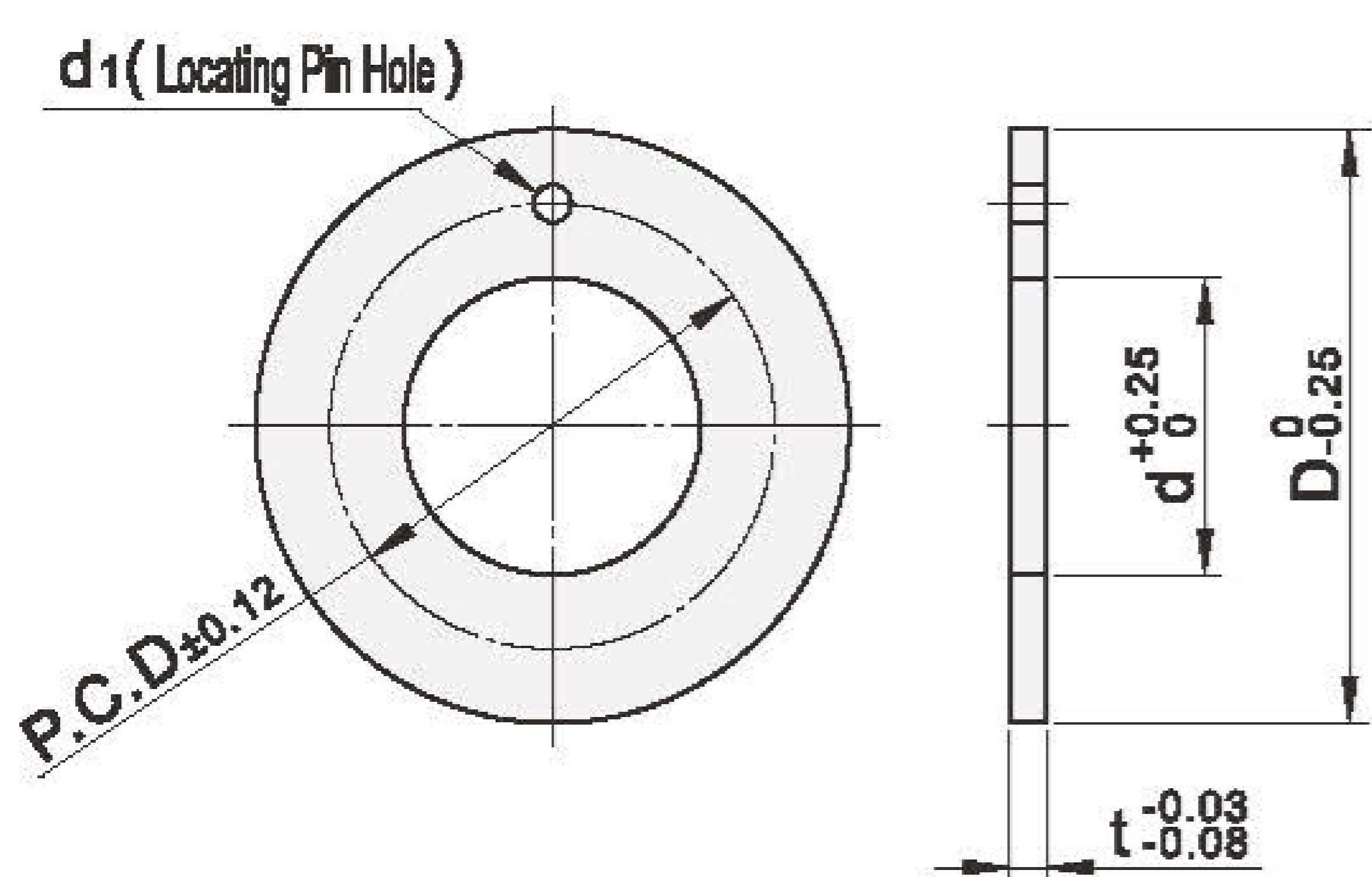
① **GXDKW** For specifications 6~18, the T dimension is the size within parentheses.

Thrust Shim



CAD 2D 3D

Code	Type	Material			Surface Treatment	Heat Resistance Temperature
		Base Plate	Intermediate Layer	Surface Layer		
GXCLX	Thrust Shim	SPCC	Bronze Powder	Polytetrafluoroethylene (PTFE)	Tin Plating	-200 ~ 280°C



Model	t	d	D	Mounting Hole	
Code				d ₁	P.C.D
6		8	16		
8		10	18	1.0	+0.30 +0.10
10		12	24	1.5	
12		14	26		
14		16	30	2.0	
16		18	32		
18	1.5	20	36		
20		22	38	3.0	
22		24	42		+0.375 +0.125
25		28	48		
30		32	54		
35		38	62	4.0	
40		42	66		
50	2.0	52	78		