

Linear Bearing with Flange ▶ Double Bush Type Intermediate Type



Please order according to the diagram

①~② Select the type and parameters in the order of for ordering

Model (①Code) — ②d
GJXQY — **d20**



Discounted Price	
Quantity	Price
1~9	100%
10~	Separate Quotation

Price Excluding Tax (Yuan)



CAD 2D 3D

Code	Type	Bushing			Surface Treatment	Ball Material	Cage Material	Seal Ring Material	Operating Temperature
		Material		Hardness					
		International	Equivalent						
GJXQY	Round Flange Type				—				
GJXQZ	Round Flange Type				Electroless Nickel Plating				
GJXRX	Double Bush Type	Square Flange Type	GCr15	SUJ2	56HRC~	GCr15	Resin	Nitrile Rubber	-15 ~ 80°C
GJXRW									
GJXSV	Opposite Edge Flange Type								
GJXSU									

- Bushing and ball material are SUJ2, equivalent to GCr15. ! If rust prevention is required, nickel-plated products are preferred!
- Cage material is resin, equivalent to DURACON M90.

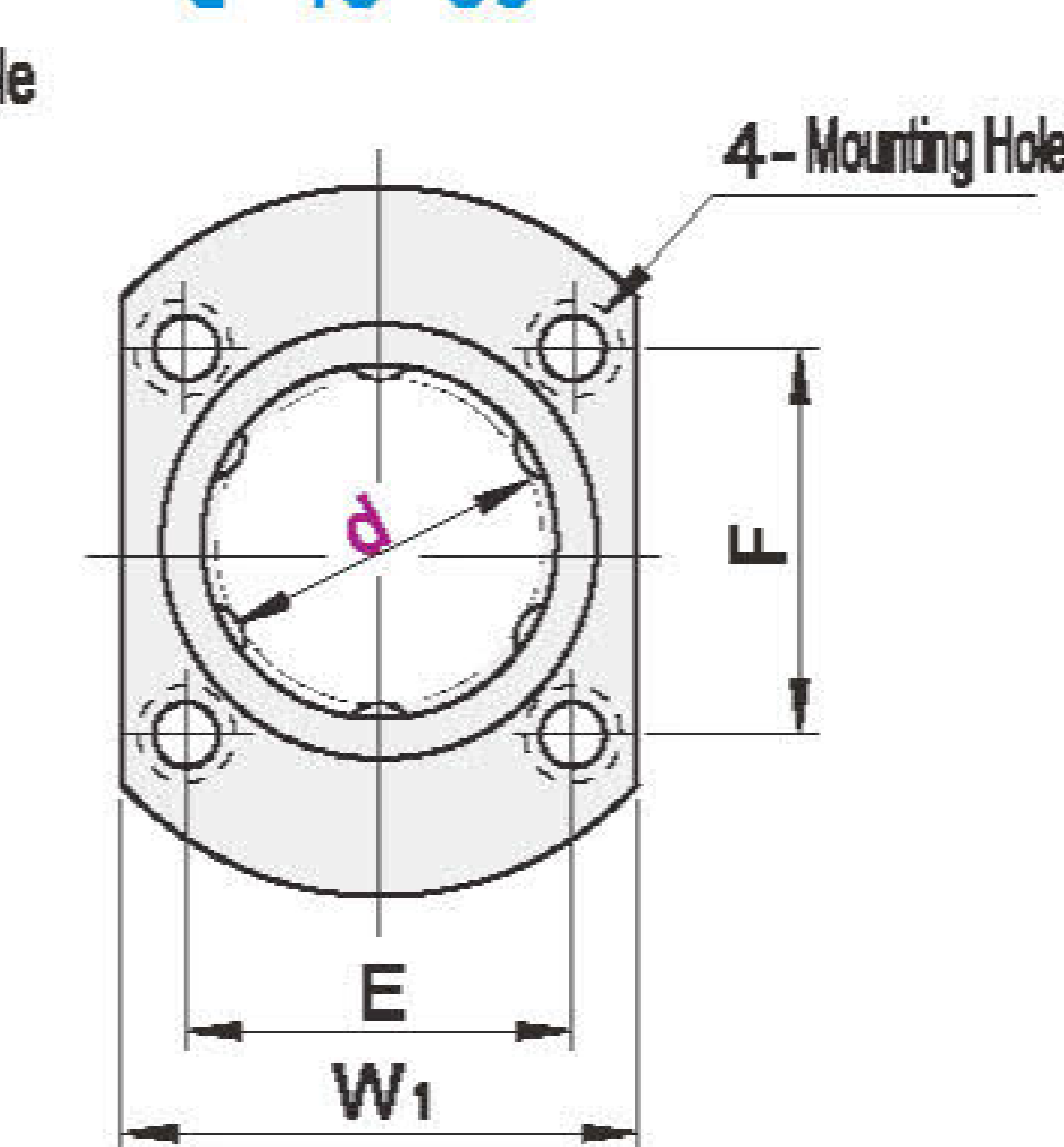
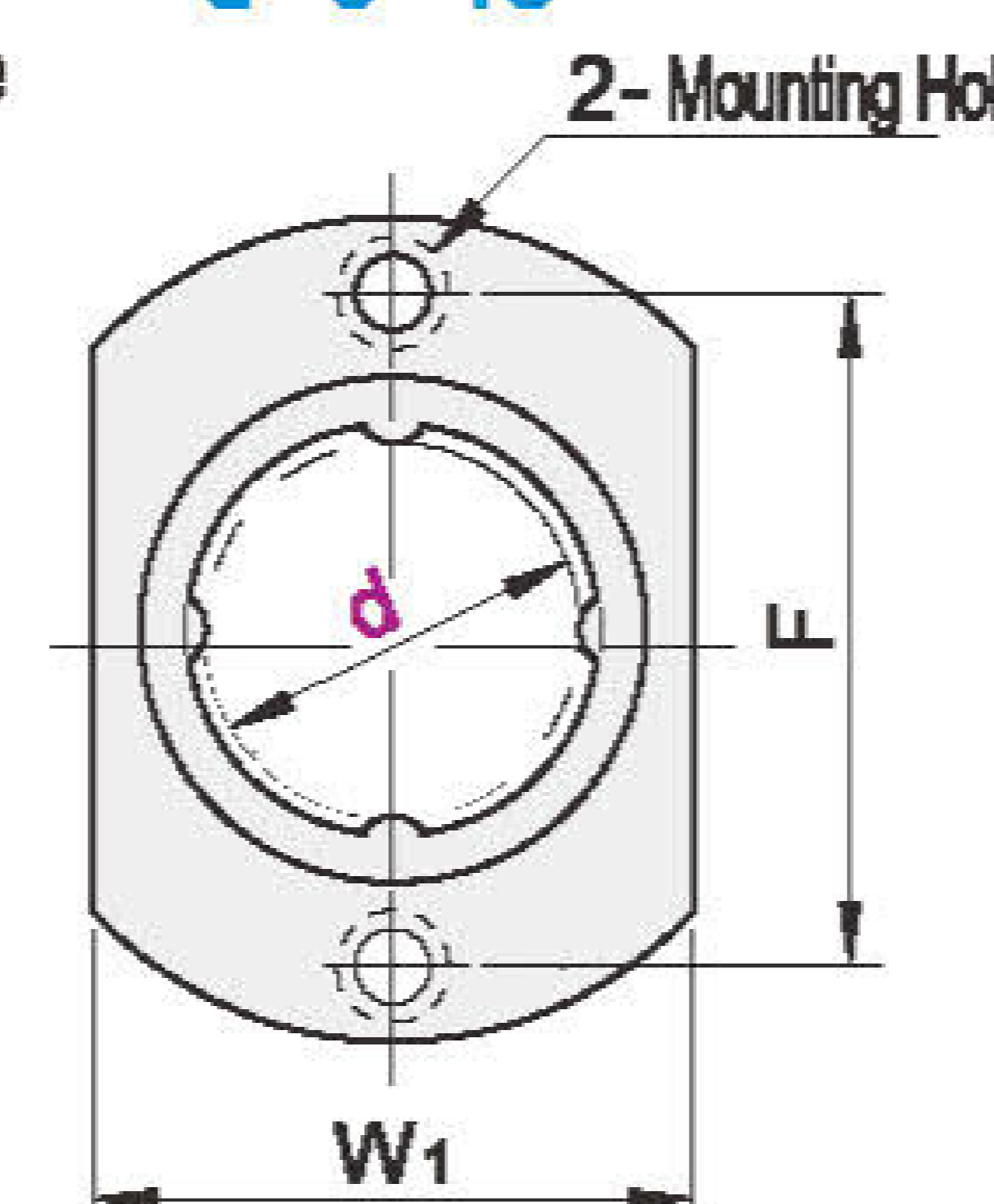
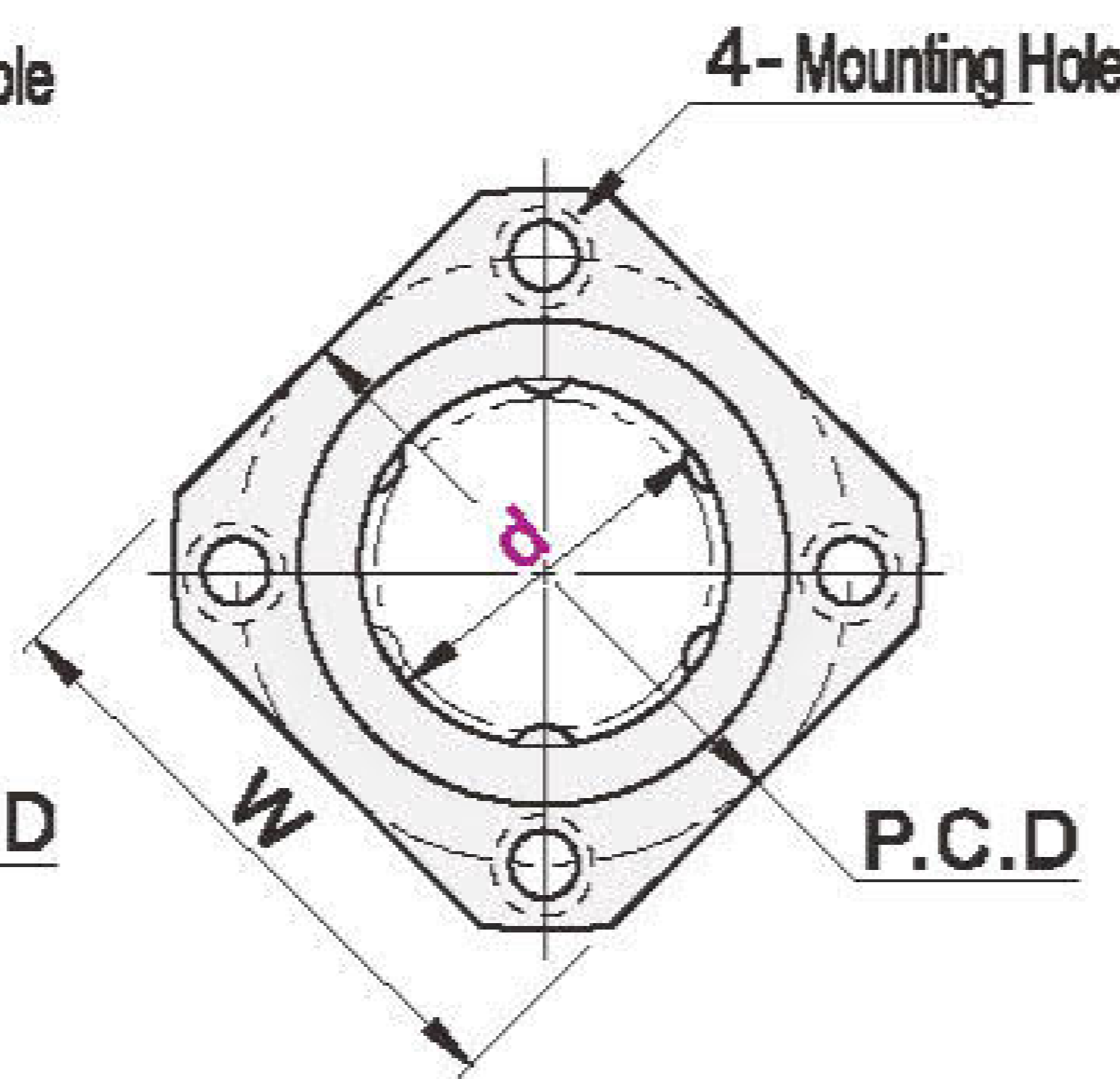
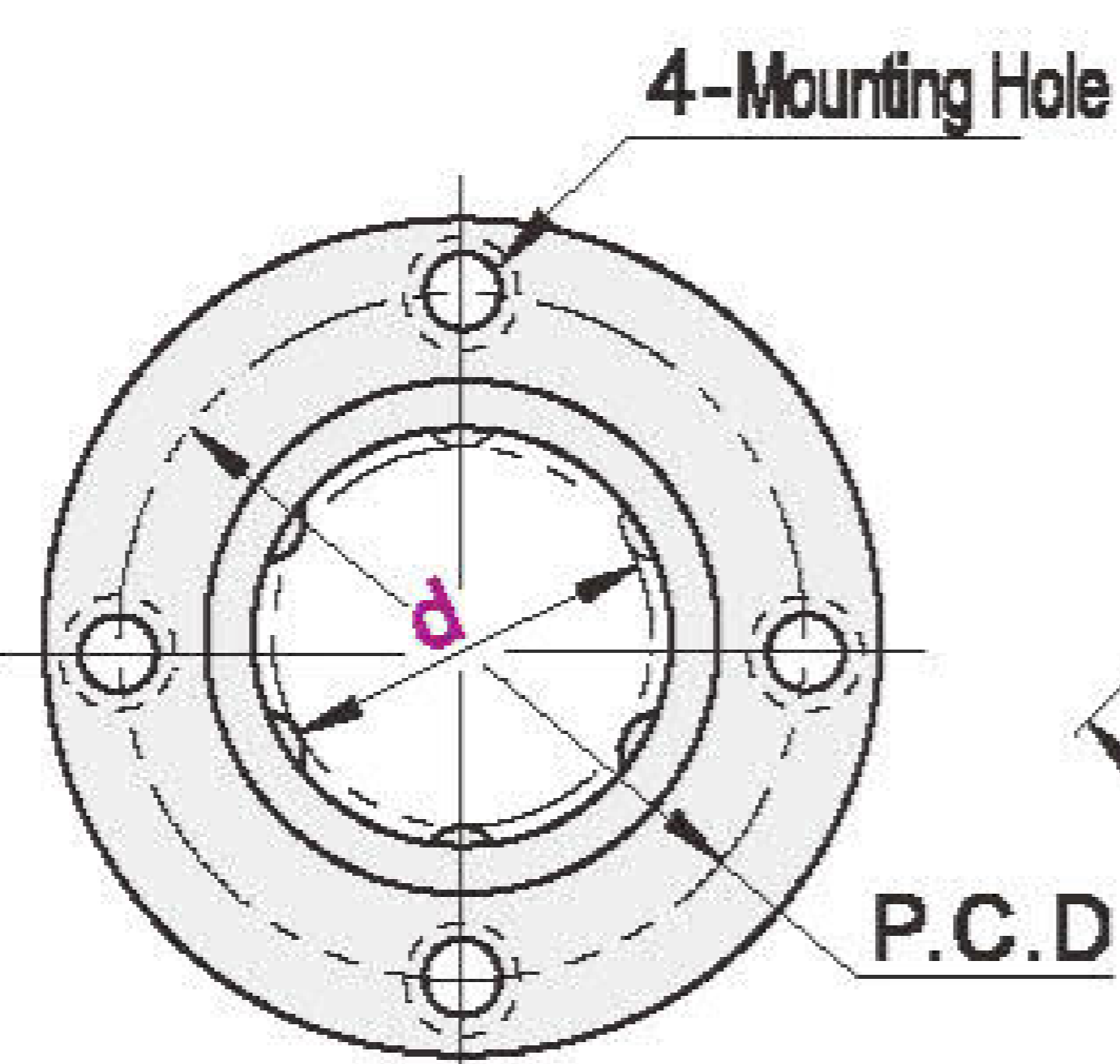
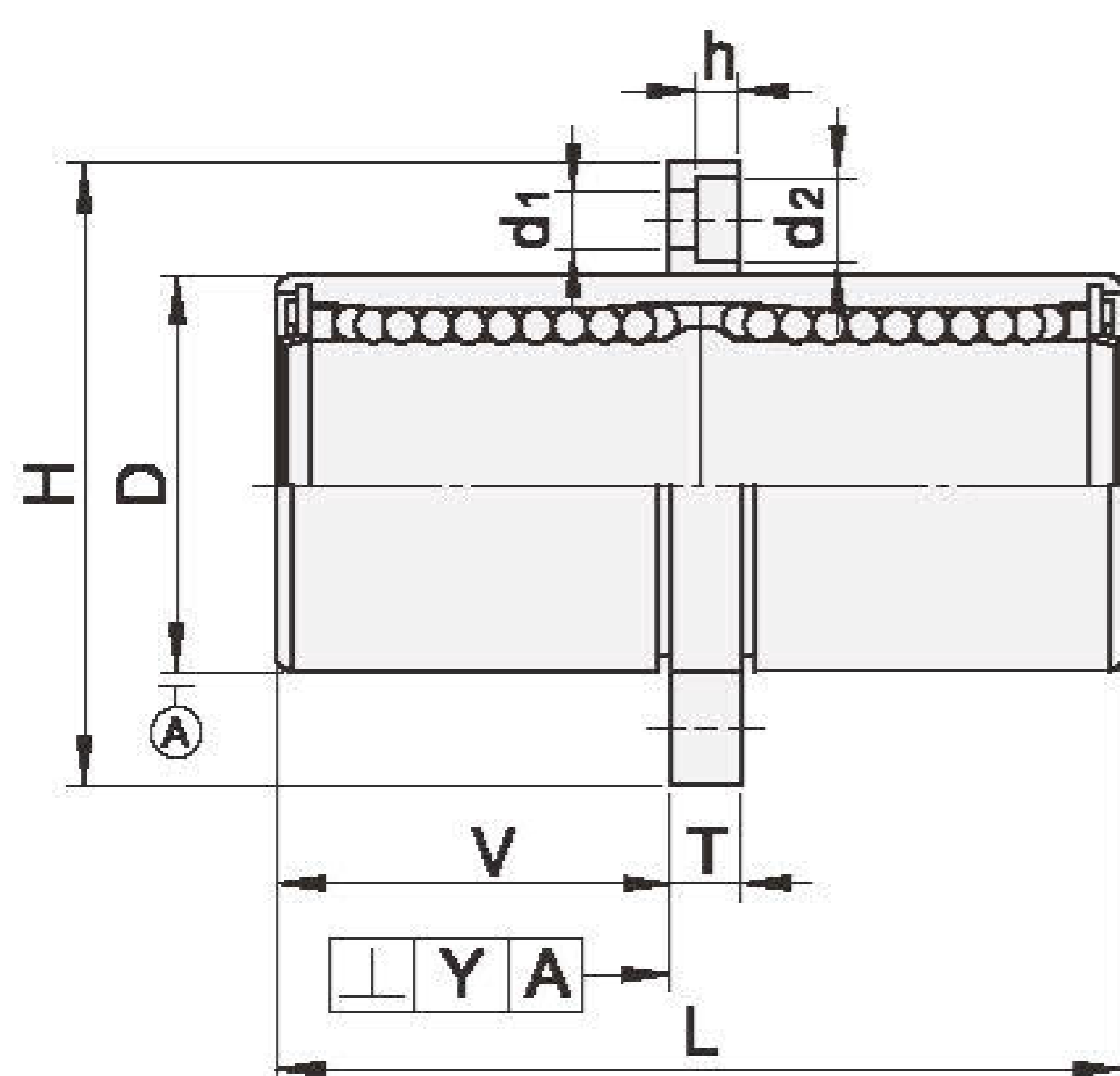
Round Flange Type

Square Flange Type

Opposite Edge Flange Type

d = 6 ~ 13

d = 16 ~ 50



Model Code	d	D			L	V	H	T	d1	d2	h	P.C.D	W	W1 (max)	E	F	Eccentricity	Straightness Y
		Size	No surface treatment	With surface treatment														
Round Flange Type GJXQY GJXQZ	6	12	0	0	35	15	28	5	3.5	6	3.1	20	22	18	—	20		
	8	15	-0.013	-0.018	45	20	32	5	3.5	6	3.1	24	25	21	—	24		
	10	19	0	-0.010	55	24.5	40	6	4.5	7.5	4.1	29	30	25	—	29	0.014	0.014
Square Flange Type GJXRX GJXRW	12	21	0	-0.016	57	25.5	42	6	4.5	7.5	4.1	32	32	27	—	32		
	13	23	0	-0.021	61	27.5	43	6	4.5	7.5	4.1	33	34	29	—	33		
	16	28	0	-0.019	70	32	48	8	5.5	9	5.1	38	37	34	22	31		
Opposite Edge Flange Type GJXSV GJXSU	20	32	0	-0.025	80	36	54	8	5.5	9	5.1	43	42	38	24	36		
	25	40	0	-0.019	112	52	62	8	5.5	9	5.1	51	50	46	32	40	0.019	0.019
	30	45	0	-0.022	123	56.5	74	10	6.6	11	6.1	60	58	51	35	49		
	35	52	0	-0.030	135	62.5	82	10	6.6	11	6.1	67	64	60	38	55		
	40	60	0	-0.022	151	69	96	13	9	14	8.1	78	75	70	45	64	0.024	0.024
50	80	0	-0.030	192	89.5	116	13	9	14	8.1	98	92	92	56	80			

① 1Kgf=9.81N

d	Static Allowable Moment (N/m)	Basic Rated Load		Weight (g)		
		C (Dynamic) N	C0 (Static) N	Round Flange Type	Square Flange Type	Opposite Edge Flange Type
6	2.18	320	525	30	22	25
8	4.31	430	780	50	42	45
10	7.24	585	995	95	75	85
12	10.9	655	1115	95	85	100
13	11.6	810	1565	125	105	120
16	19.7	1225	2345	185	160	180
20	26.8	1395	2735	255	220	245
25	43.4	1555	3135	535	495	520
30	82.8	2485	5485	675	585	640
35	110	2645	6265	1015	925	940
40	147	3425	8035	1565	1375	1420
50	397	6075	15895	3595	3395	3435

① Notes for Use:

- The entry of foreign matter into the linear bearing may cause damage to the steel ball circulation components or loss of functionality. Please prevent dust, cutting debris, and other foreign matter from entering the bearing.
- Avoid using under conditions exceeding 80°C.
- Dropping or improper striking of the linear bearing may cause damage. Please exercise caution.
- Even if external damage is not visible after impact, it may still result in loss of functionality.
- Wipe off the anti-rust oil carefully and seal in a lubricant before use.
- When storing, please keep the bearing in a designated envelope to avoid exposure to high temperatures, low temperatures, and excessively humid environments.