

Post Clamps ▶ Same Diameter Orthogonal Hole Pitch Selection Type / Hole Pitch Specified Type



Please order according to the diagram

①~③ Select the type and parameters in the order for ordering.

■ Hole Pitch Selection Type

Model(①Code) - ②DH7 - ③P
KZDEA - D6 - P25

■ Hole Pitch Specified Type

Model(①Code) - ②DH7 - ③P
KZDFA - D8 - P30

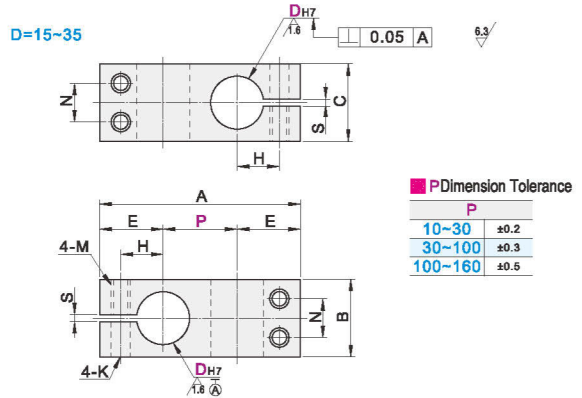
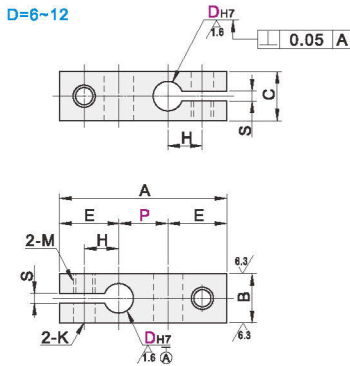


DiscorUnlimited Price
 Quantity 1~9 10~
 Price 100% Separate Quotation
 Price Excluding Tax (Yen)



Code	Type	Material		Surface Treatment	Accessory(Screws)
		International	Equivalent		
KZDEA	Hole Pitch Selection Type	Q235	SS400	Black Oxide Finish	Hex Socket Head Cap Screw
KZDEB		LD31	A6063	Electroless Nickel Plating	Hex Socket Head Cap Screw (Stainless Steel)
KZDEC		LD31	A6063	Black Anodizing	Hex Socket Head Cap Screw
KZDED		0Cr18Ni9	SUS304	—	Hex Socket Head Cap Screw (Stainless Steel)
KZDFA	Hole Pitch Specified Type	Q235	SS400	Black Oxide Finish	Hex Socket Head Cap Screw
KZDFB		LD31	A6063	Electroless Nickel Plating	Hex Socket Head Cap Screw (Stainless Steel)
KZDFC		LD31	A6063	Black Anodizing	Hex Socket Head Cap Screw
KZDFD		0Cr18Ni9	SUS304	—	Hex Socket Head Cap Screw (Stainless Steel)

④ For rust prevention requirements, priority should be given to electroless nickel plated products



■ Hole Pitch Selection Type

Model		P	A	B	C	E	H	N	M	K	S
Code	DH7										
KZDEA	6	10 15 20	A=P+2E	10	10	12	7	—	M4	4.5	2
	8	10 15 20 25									
	10	15 20 25 30									
	12	20 25 30 40									
	15	20 25 30 40									
	20	25 30 40 50									
	25	30 40 50 75									
	30	50 75 100 150									
35	50 75 100 150	45	45	32	24	24	M8	9			

■ Hole Pitch Specified Type

Model		Minimum Unit 10 P	A	B	C	E	H	N	M	K	S							
Code	DH7																	
KZDFA	6	10~25	A=P+2E	10	10	12	7	—	M4	4.5	2							
	8	10~30																
	10	15~35																
	12	20~45																
	15	25~55																
	20	30~80																
	25	50~160										45	45	32	24	24	M8	9
	35	50~160										45	45	32	24	24	M8	9